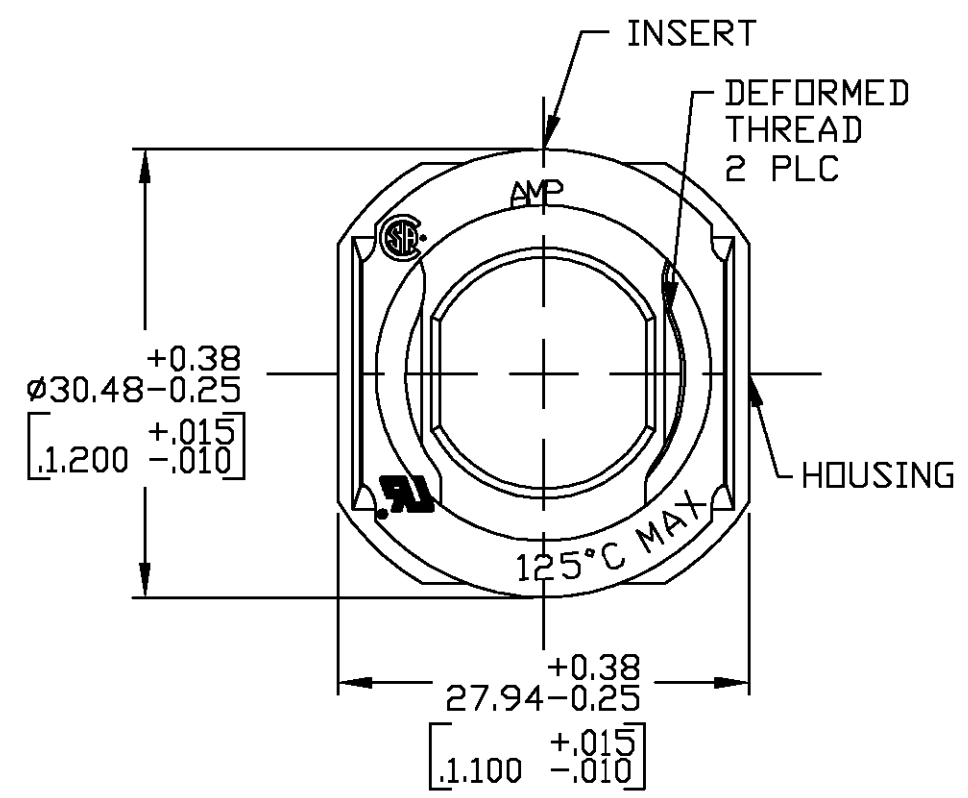
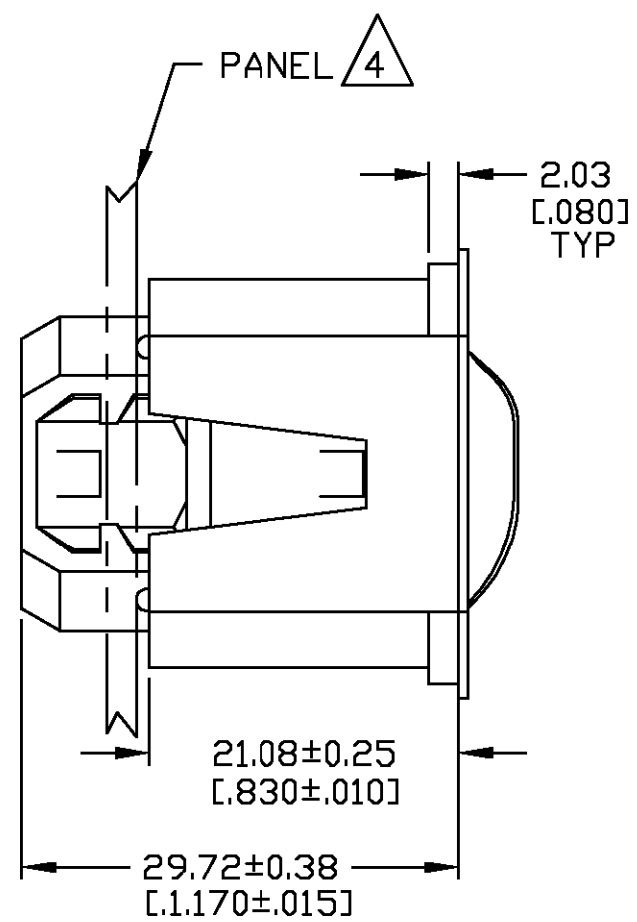
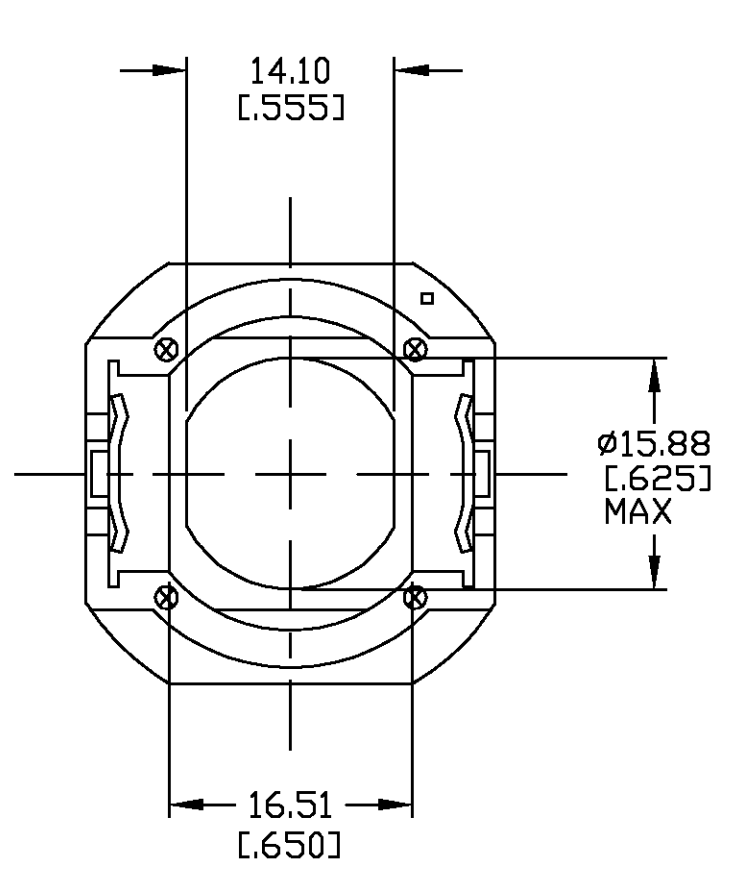


THIS DRAWING IS UNPUBLISHED. RELEASED FOR PUBLICATION .19
 © COPYRIGHT 19 BY AMP INCORPORATED. ALL RIGHTS RESERVED.

LOC	DIST	REVISIONS			
P	LTR	DESCRIPTION	DATE	DWN	APVD
AA	27	H	REDWN & REV PER EC 0B40-0133-00	23JUN00	LMH/LHS

- 1 HOUSING: NYLON, BLACK.
INSERT: CARBON STEEL, 0.64 [.025] THICK.
- 2 INSERT: ZINC PER QQ-Z325, CLASS 3, TYPE II.
+0.79
- 3. FITS STANDARD 12.70 [.500] KNOCKOUT $\phi 22.22$ -0.38
[.875 +0.31 -0.15]
- 4 PANEL RETENTION MECHANISM ACCOMMODATES PANEL THICKNESSES FROM 0.81 [.032] TO 2.31 [.091].



207373-1
PART NUMBER

THIS DRAWING IS A CONTROLLED DOCUMENT.		DWN	L.HALL	27APR00	AMP Incorporated Harrisburg, PA 17105-3608
DIMENSIONS: MM [Inches]		CHK	L.H.SMITH	23JUN00	
TOLERANCES UNLESS OTHERWISE SPECIFIED:		APVD	F. LINCOLN	23JUN00	
0 PLC ± 1 PLC ± 2 PLC ± 0.13 [.005] 3 PLC ± 4 PLC ± ANGLES ±		PRODUCT SPEC	NAME		
MATERIAL	1	FINISH	2	WEIGHT	CONNCTOR ASSEMBLY, .500 IN. FLEXIBLE CONDUIT
CUSTOMER DRAWING		SIZE	A3	CAGE CODE	00779
		DRAWING NO	C=207373		RESTRICTED TO
		SCALE	2:1	SHEET	1 OF 1
		REV	H		